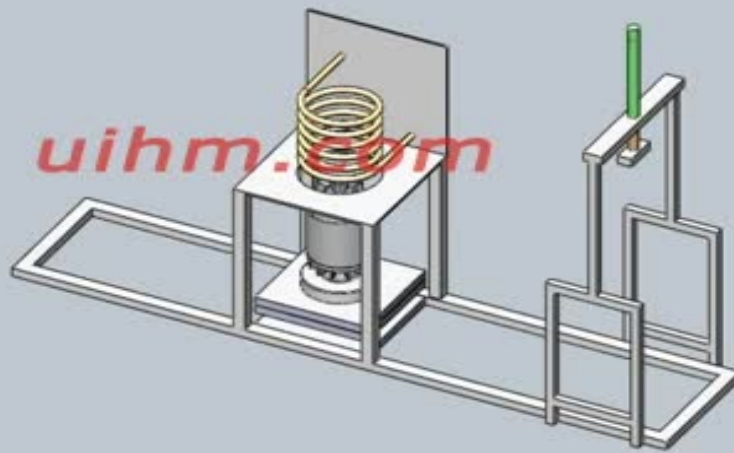


UM-40AB-HF Induction heater setup for rotor shrink fitting

United Induction Heating Machine Limited

We are experienced in Induction Heating, induction heating machine, Induction Heating equipment. They are widely used in induction heating service, induction heat treatment, induction brazing, induction hardening, induction welding, induction forging, induction quenching, induction soldering induction melting and induction surface treatment applications
<http://www.uihm.com>

UM-40AB-HF Induction heater setup for rotor shrink fitting



service@uihm.com

United Induction Heating Machine Limited